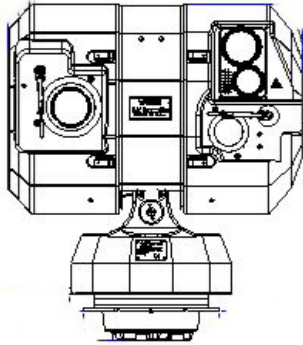
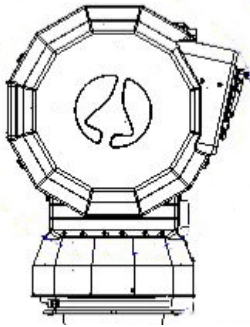


## SeaEagle FCEO-A Fire Control Electro-Optical Analogue

The SeaEagle FCEO is a stabilised electro optical fire control system optimised for the control of naval guns against air, surface and shore targets. Capable of controlling any 'in-service' naval gun, the system supports 24-hour, detection, acquisition, tracking, identification and engagement of air and surface targets through its thermal and TV sensors with target range provided by a high repetition eye safe laser rangefinder.

We work with our customers to ensure that they have the most reliable products and solutions for their missions. By applying our engineering excellence, it ensures we deliver future-proofed, advanced technology.

The FCEO-A is particularly suitable for upgrading older vessels, fitting in with existing infrastructure while providing the benefits of the latest sensors.



## SeaEagle FCEO-A



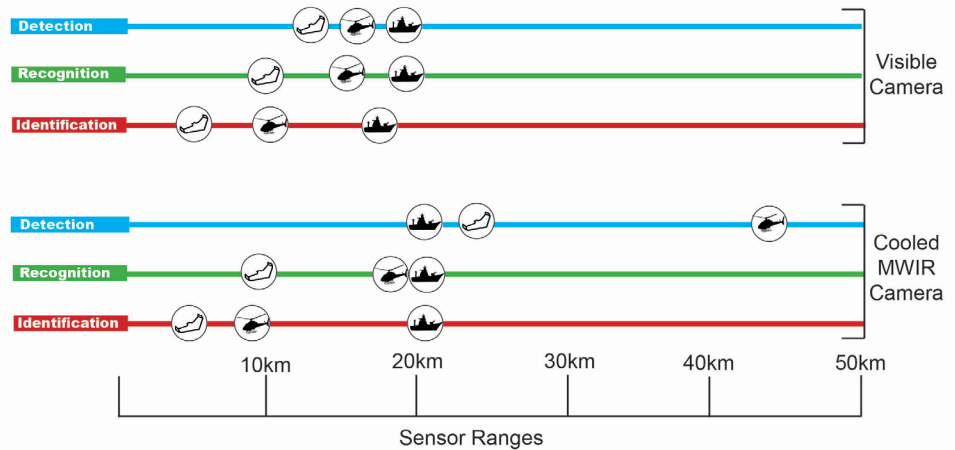
Shahed Drone



Helicopter



Corvette



### Electrical Parameters

Voltage 115-240VAC 50/60Hz single phase

Power 1,350W

### Physical Characteristics

Director EOD

Size 560 x 560 x 760mm

Mass 105kg

Azimuth N-times 360°

Elevation -35°-80°

### DCU

Size 370 x 282 x 235mm

Mass 11kg

### PSU

Size 370 x 282 x 249mm

Mass 15kg

### SPA

Size 404 x 341 x 260mm

Mass 18kg

### CCU

Size 390 x 293 x 196mm

Mass 10kg

### WCU

Size 537 x 689 x 292mm

Mass 44kg (full)

### Sensors

#### DLTV

Resolution 1419 x 1064

HFoV 1.7°-47°

#### Thermal Imager

Waveband Continuous Zoom

Resolution 3.4µm-4.2µm

HFoV 640 x 512

1.6°-28°

#### Laser Range Finder

Waveband 1570nm

Safety Class 1M

Instrumented range 100m-30,000m

PRF 1Hz - 10Hz

#### Control Interface

#### Video Interface

Ethernet to CMS

PAL Video (H.264 upon request)