

Hawkeye Air Defence (AD) Data Sheet

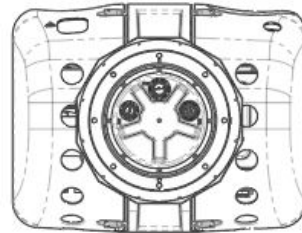
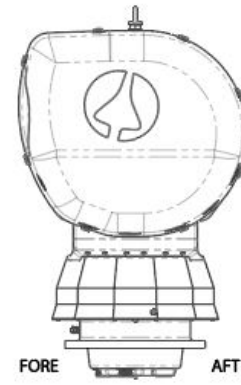
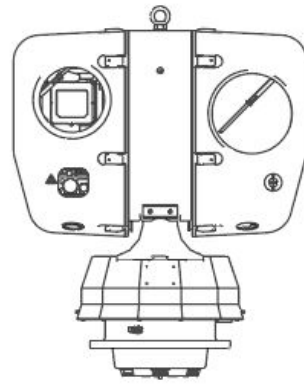
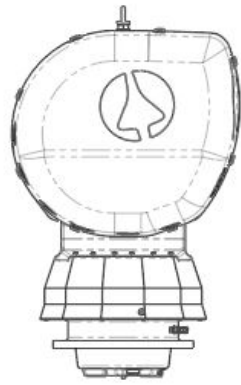


Hawkeye AD Air Defence

Our Hawkeye AD system provides an integrated fire control solution for all types of ballistic effectors. It contains high-definition thermal imager and daylight TV sensors, coupled with a high performance laser range finder, all co-mounted on a dynamic direct-drive positioner. With a built-in tracker, Hawkeye AD delivers precise 3-D coordinates of both air and surface targets to gun control or combat systems. It is suitable for use on both fixed and mobile platforms.

Key features

- Dynamic direct-drive positioner and high-definition sensors (thermal imager and DLTV)
- High-performance laser range finder and built-in tracker
- Digital architecture
- Combat system agnostic



Voltage	48V DC	TV Sensor	36 to 0.75 degrees FOV
Power	1900W peak (when motors are at max acceleration/speed)	TI Sensor	720P Resolution at least
Interfaces	Ethernet, Enable IO, Man-Aloft	LRF	HFOV = 1.47 to 19.8deg 720P Resolution at least
Components	Director Control Unit, Electro-Optical Director & Payload	Tracker	Distance = 80m-20km Freq = 1Hz Accuracy = +/- 5m
Size (L/W/H)	810/810/835mm swept in all directions, from mounting surface (connectors extend below by 75mm)	Gyro	Integrated Tracker, DEFT option
Endstops/Range of travel	Azimuth: Continuous Elevation: -35 Deg to +85 Deg		Integrated within electro-optical director
Approx Mass	130kg electro-optical Director		Stabilisation ratio >300 for sinusoidal disturbance of 20 deg/0.100Hz